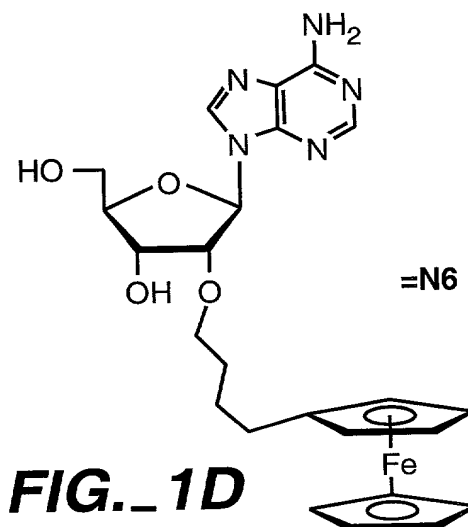
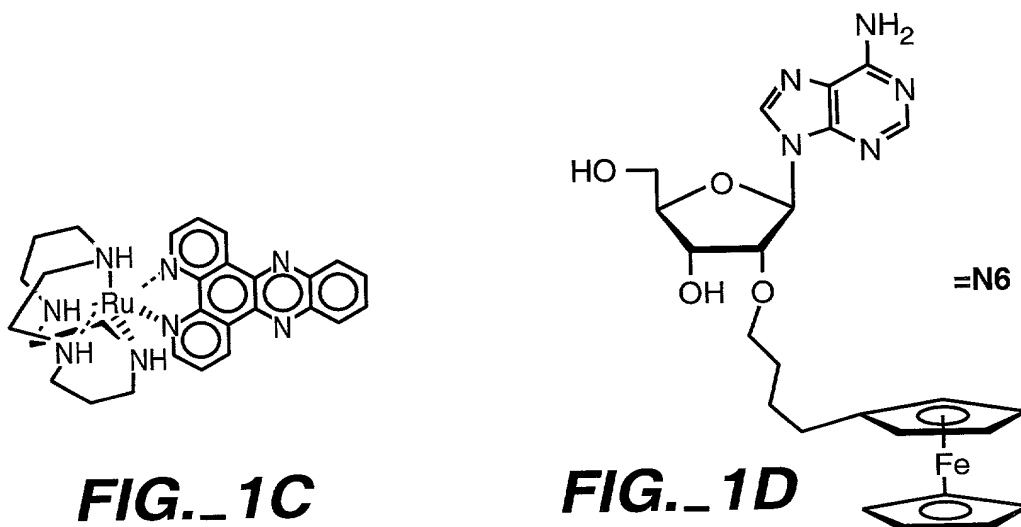
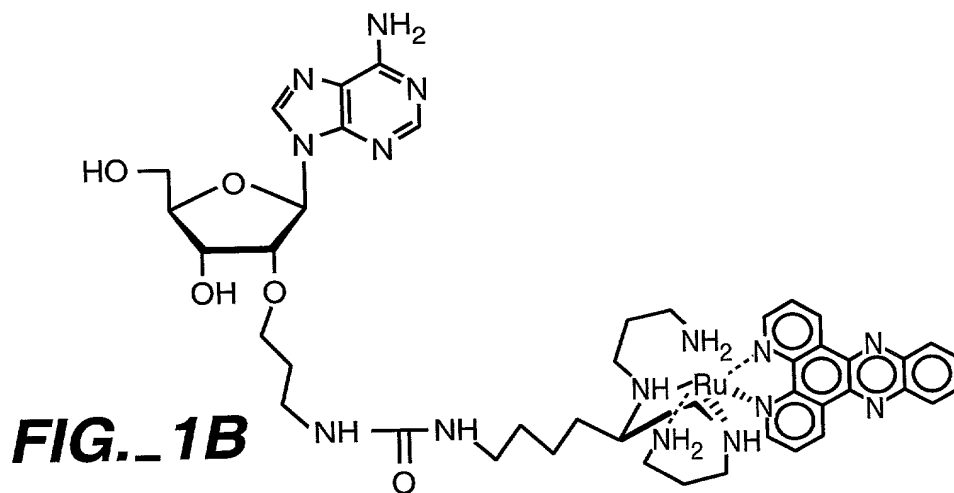
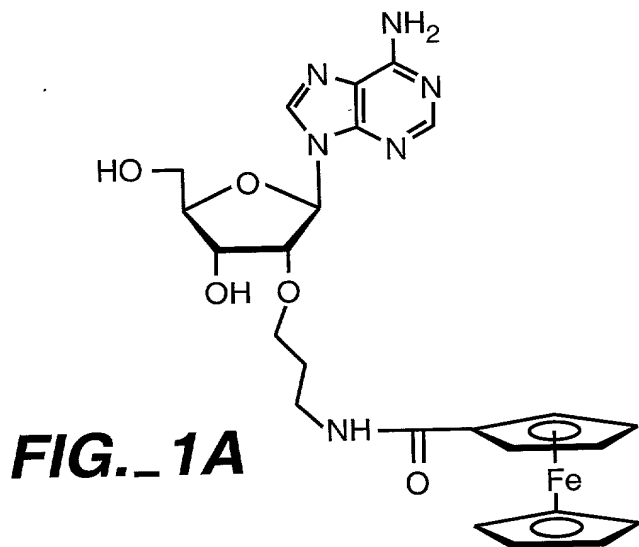
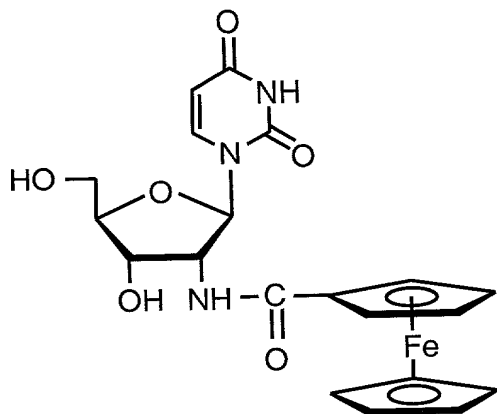
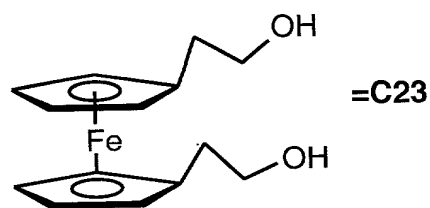
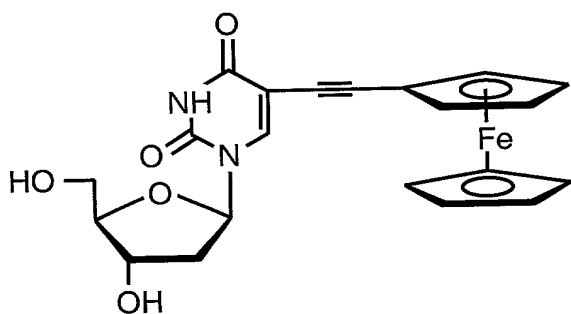
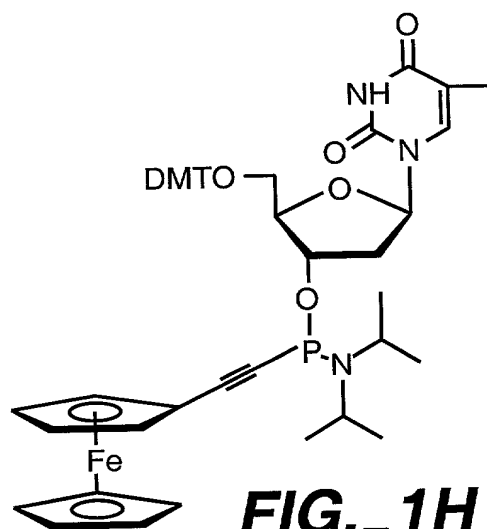
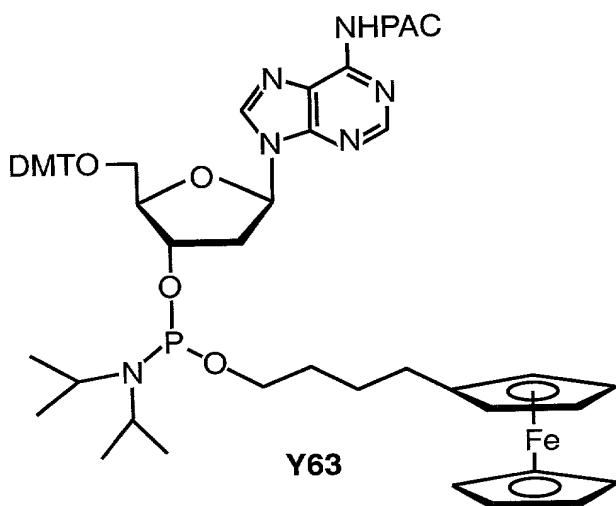
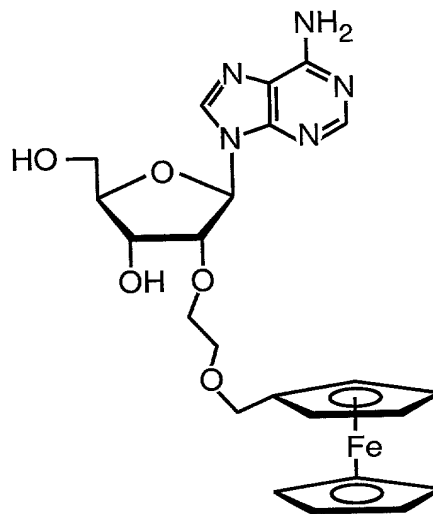
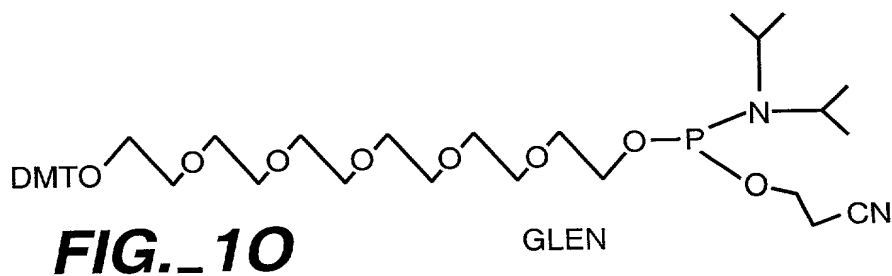
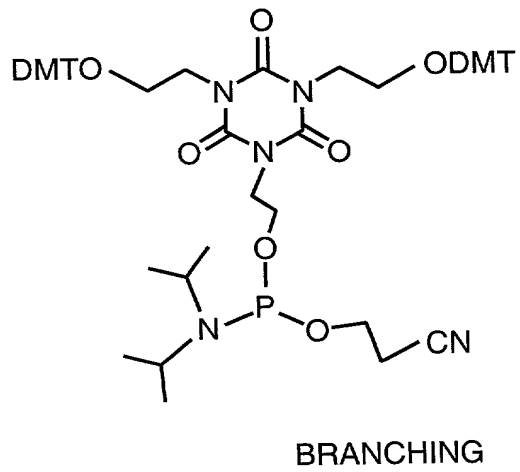
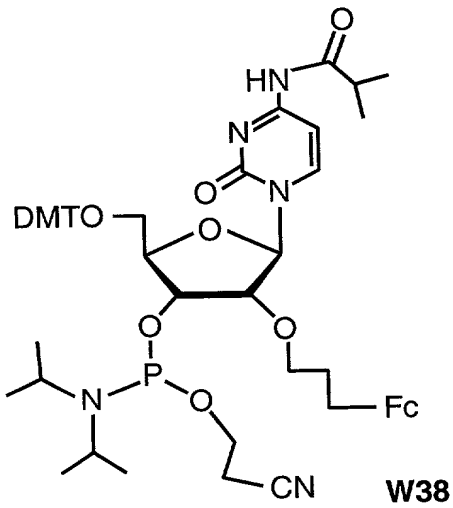
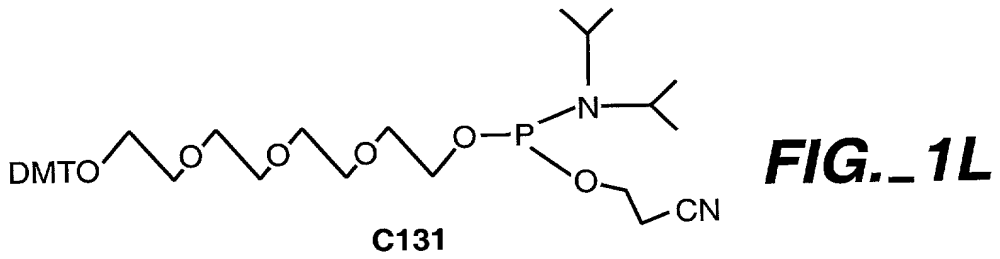
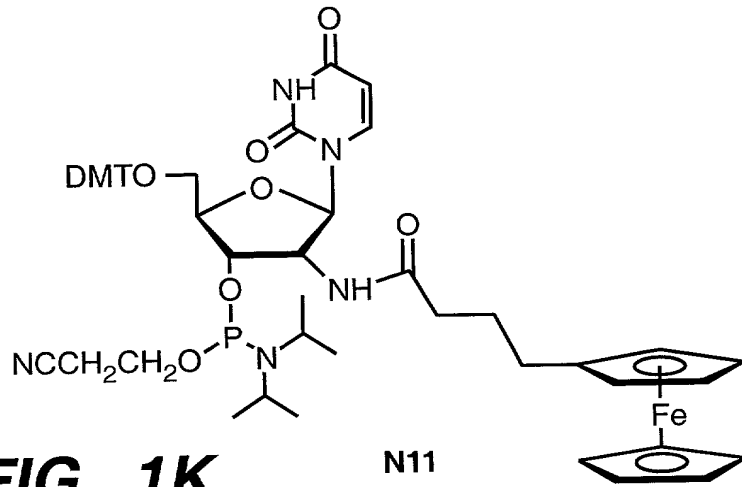


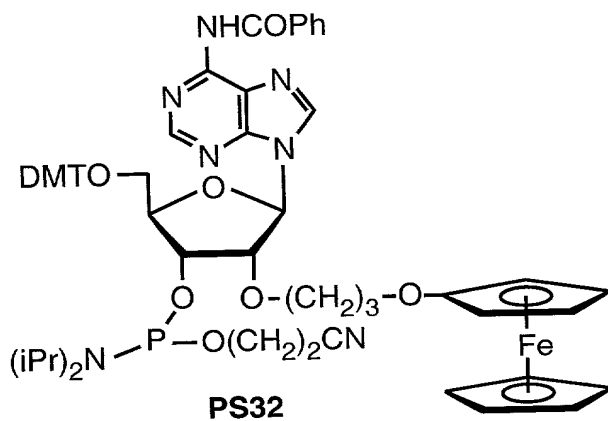
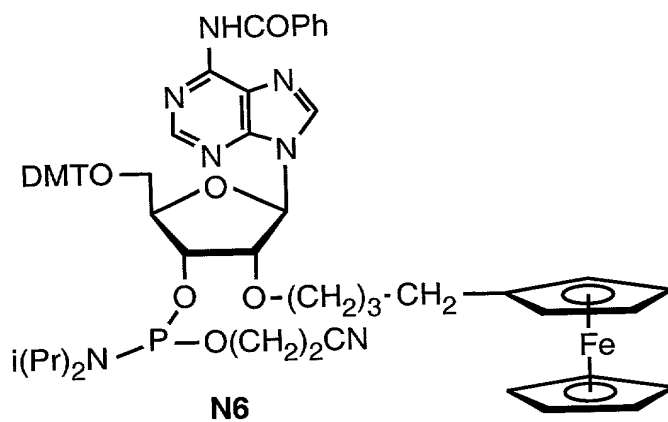
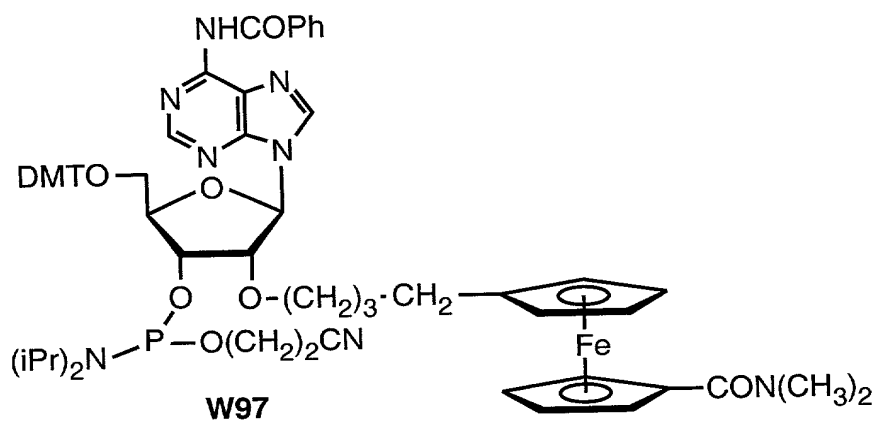
1 / 25

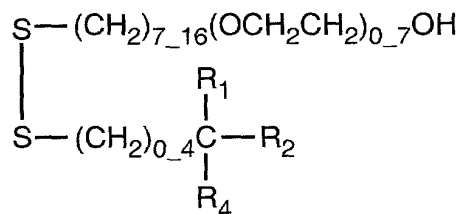


**FIG. 1E****FIG. 1F****FIG. 1G****FIG. 1H****FIG. 1I****FIG. 1J**

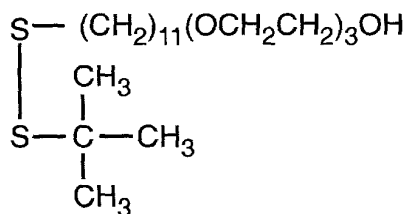


FOOTPRINT

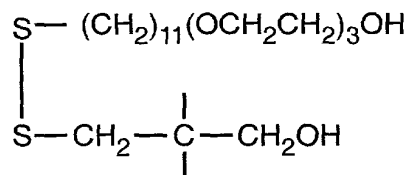
**FIG.\_1P****FIG.\_1Q****FIG.\_1R**



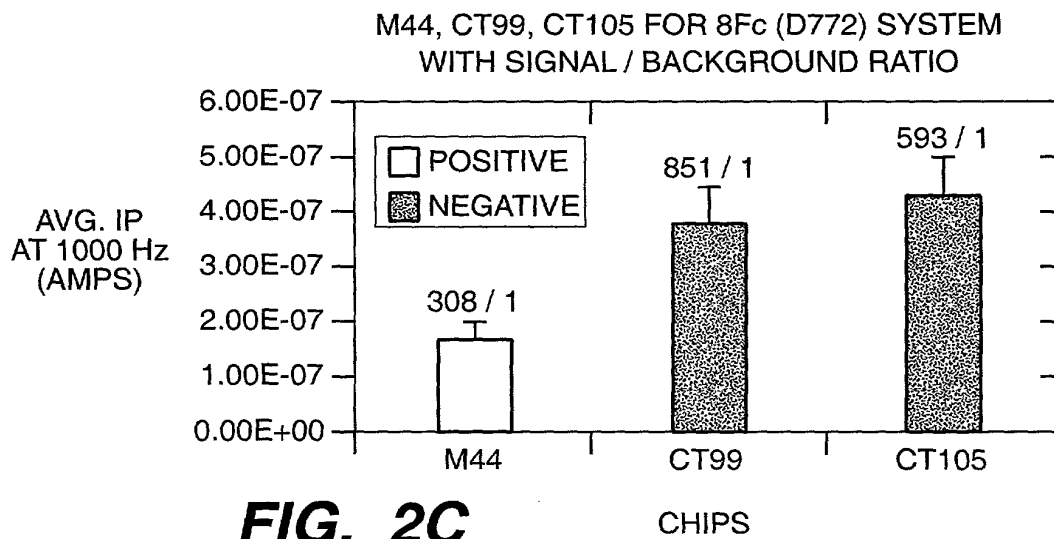
**R<sub>1</sub>, R<sub>2</sub>, AND R<sub>3</sub>:** H, CH<sub>3</sub>, t-BUTYL, CYCLOALKYL, CH<sub>2</sub>OH, CH<sub>2</sub>NH<sub>2</sub>, CONH<sub>2</sub>,  
COOH, CH<sub>2</sub>OPO<sub>3</sub><sup>2-</sup>, AROMATIC, ADAMANTYL

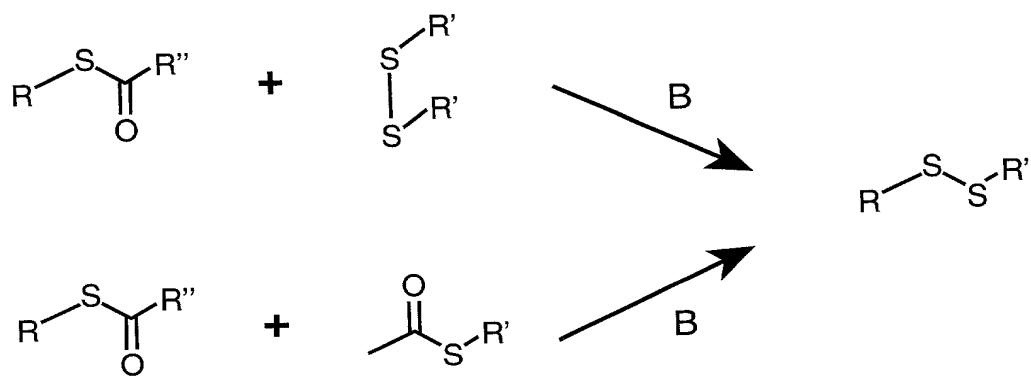
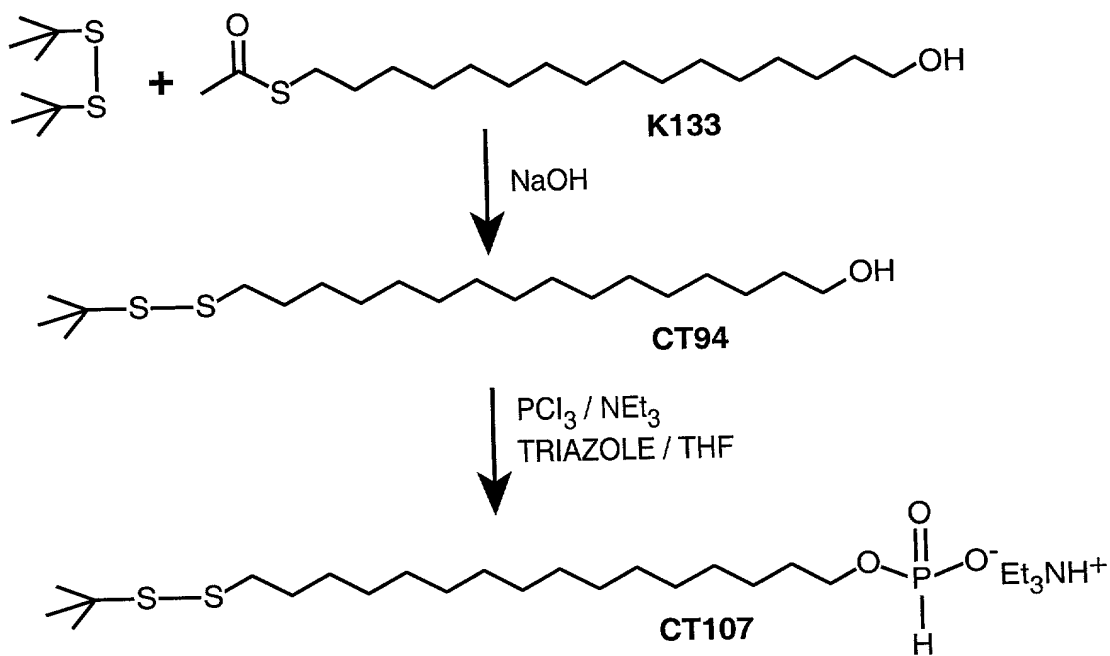
**FIG. 2A**

CT99



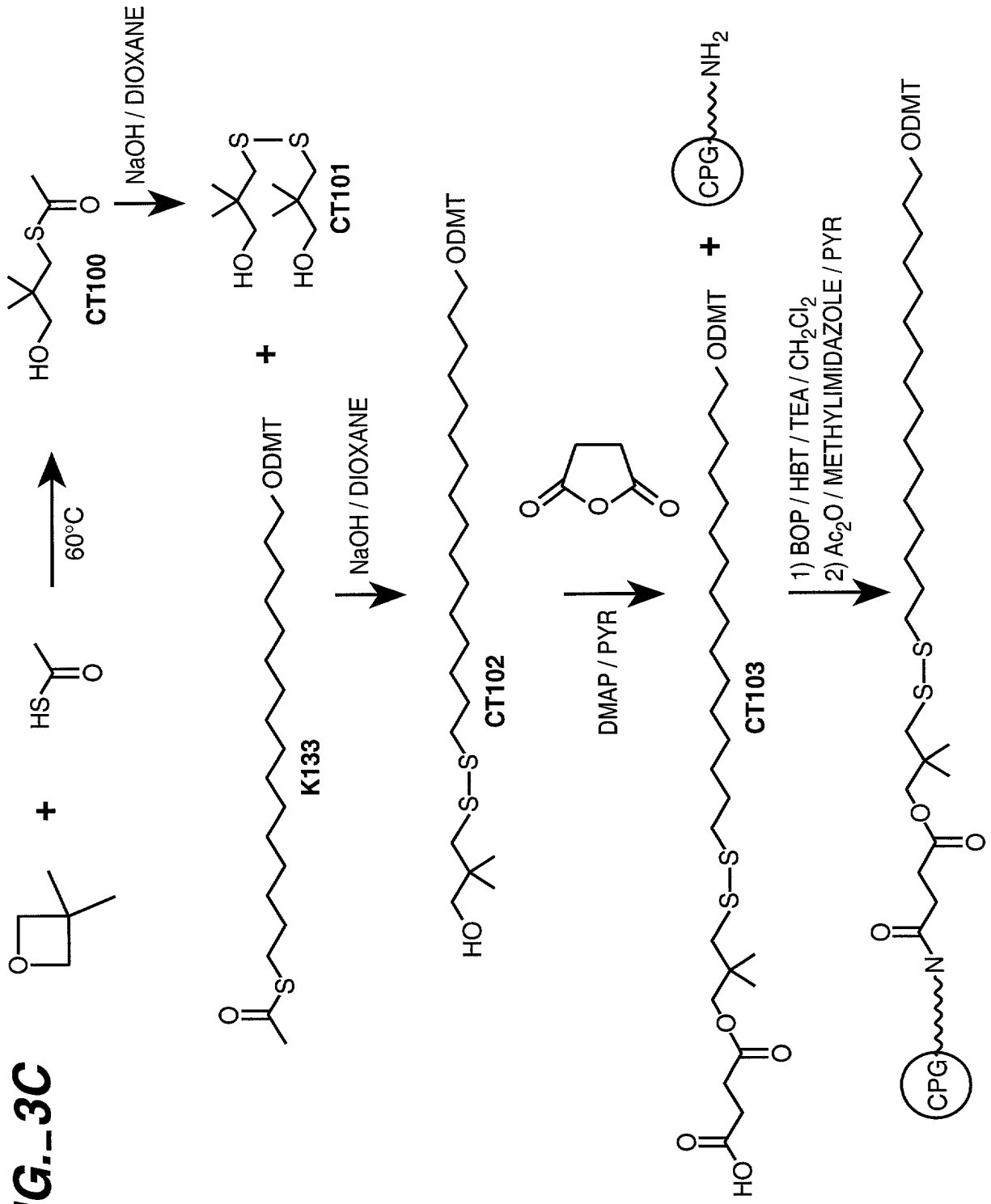
CT105

**FIG. 2B****FIG. 2C**

**FIG.\_3A****FIG.\_3B**

+

**FIG. 3C**

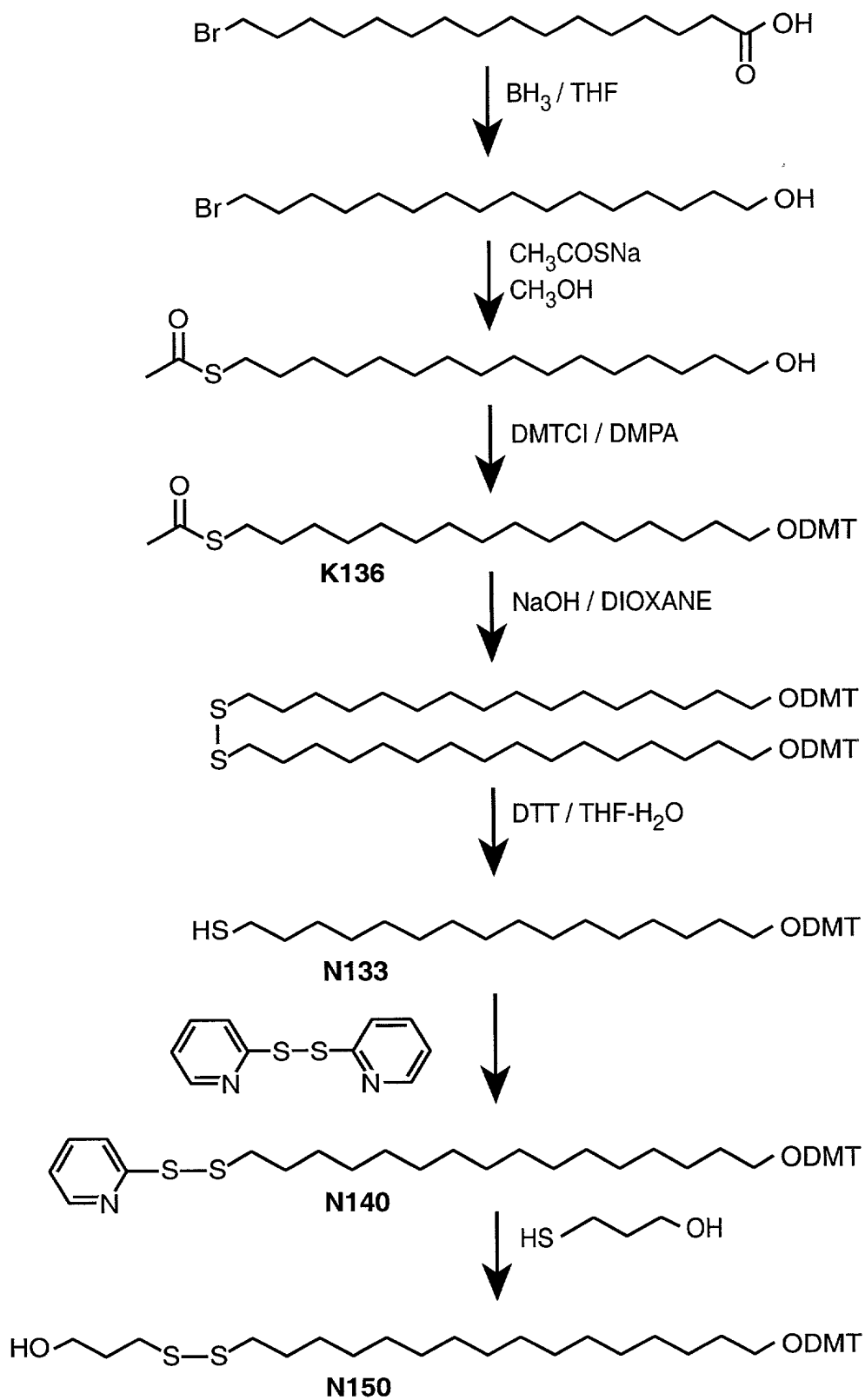


+



8 / 25

## METHOD A

**FIG.\_3D-1**

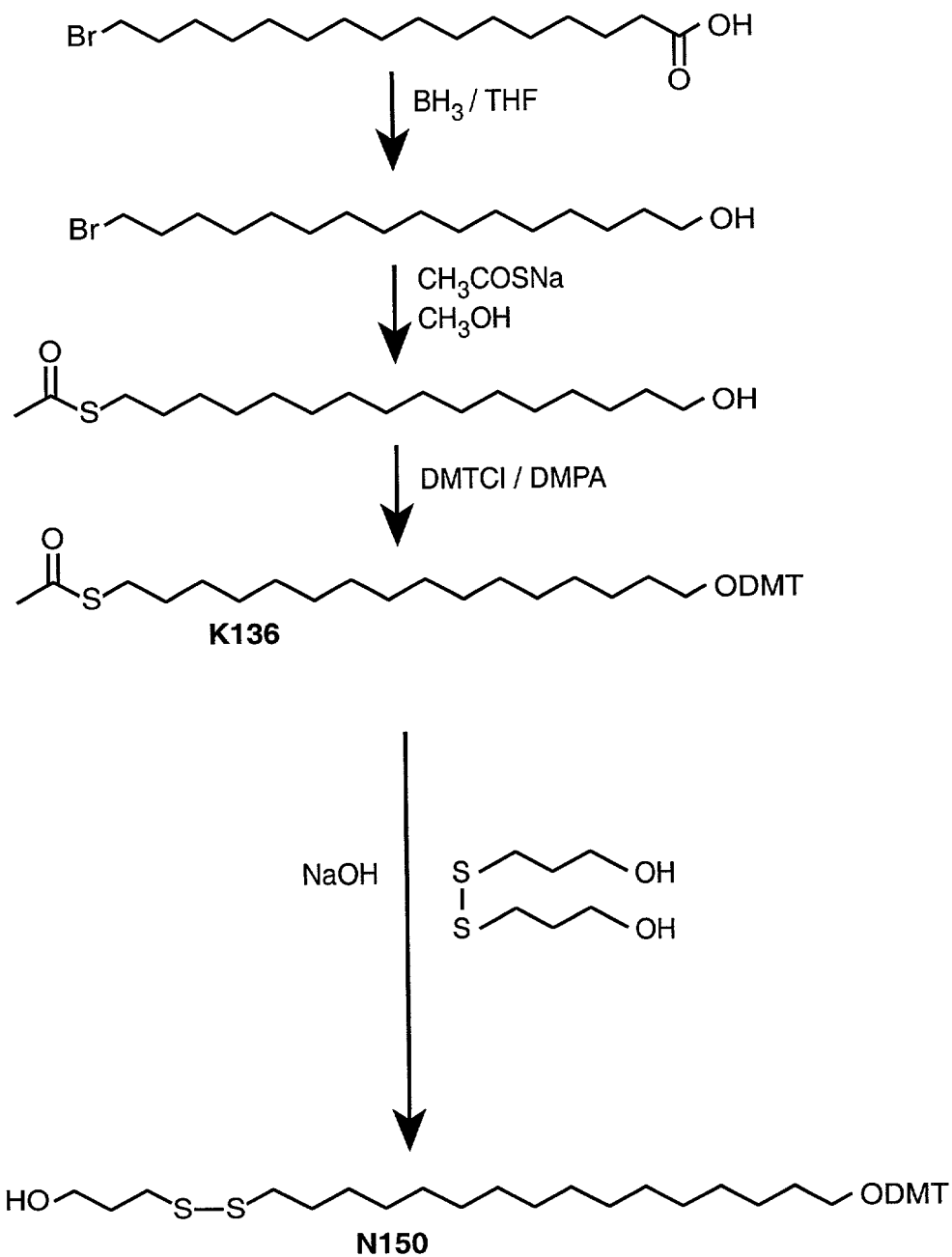


9 / 25

**FIG.\_3D**

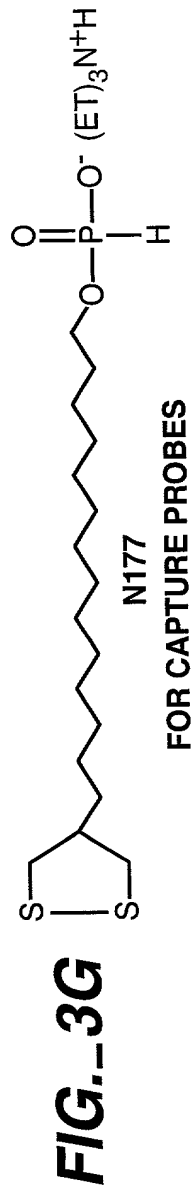
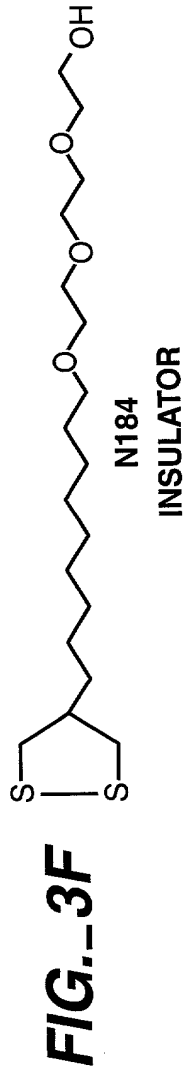
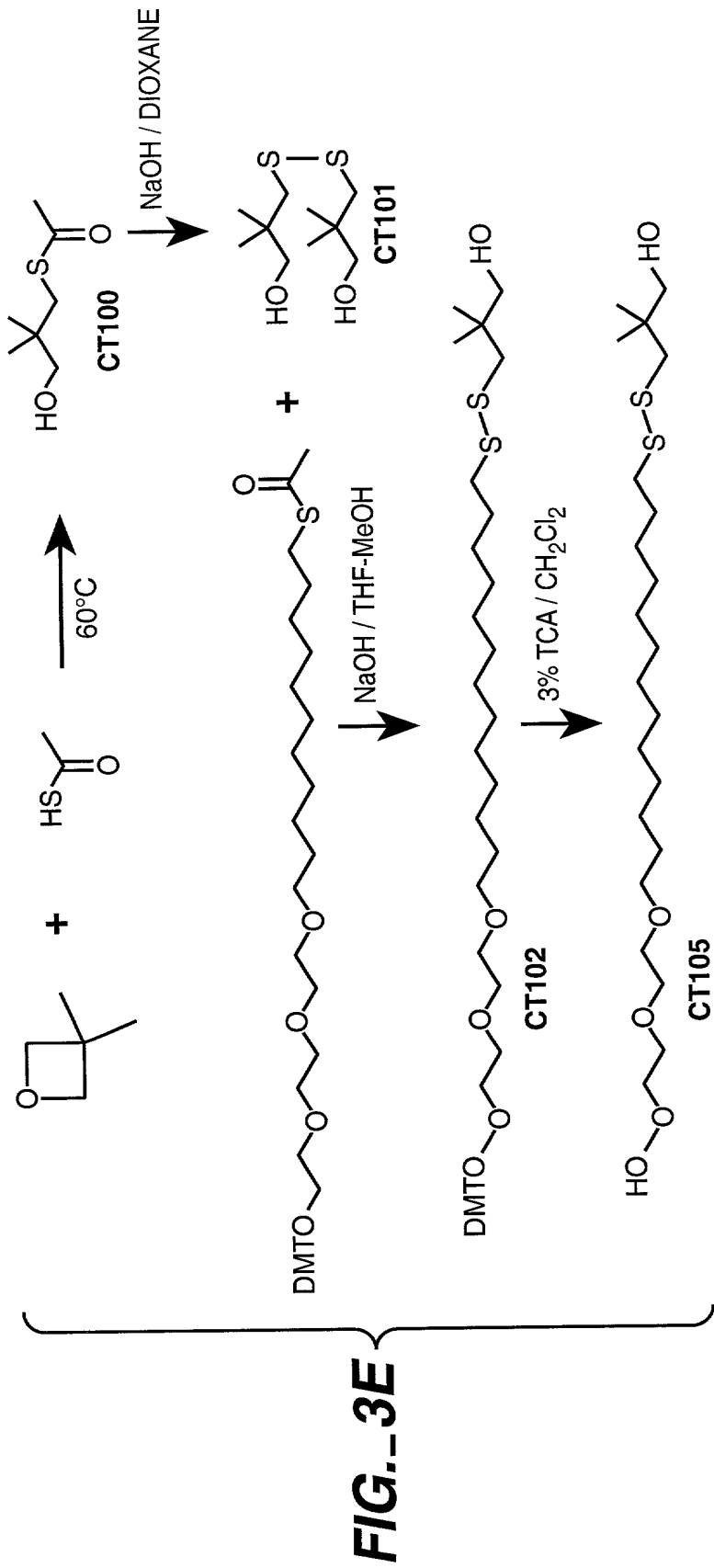
FIG.\_3D-1

FIG.\_3D-2

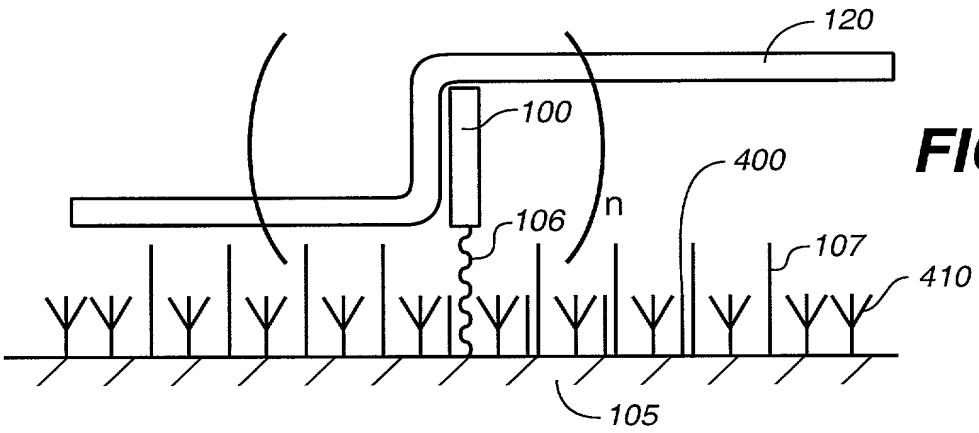
**METHOD B****FIG.\_3D-2**

FOOTPRINT

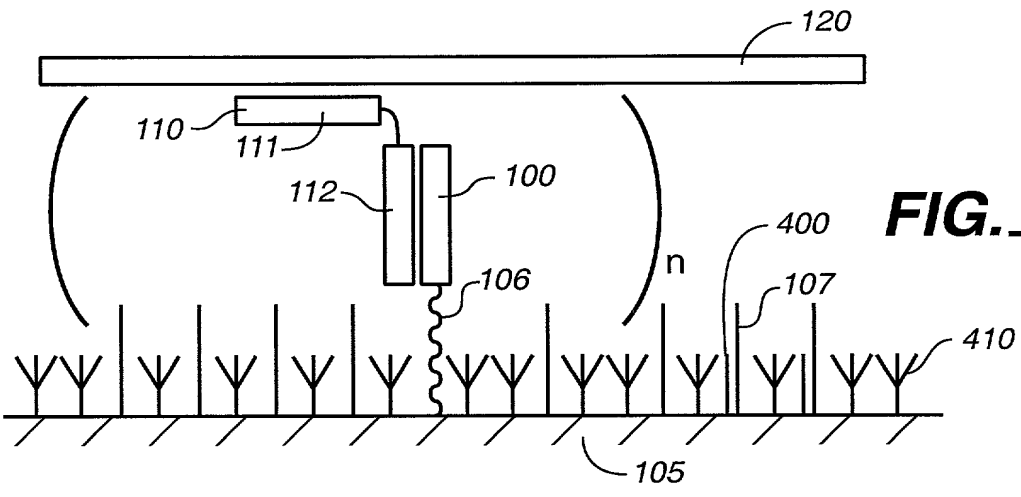
+



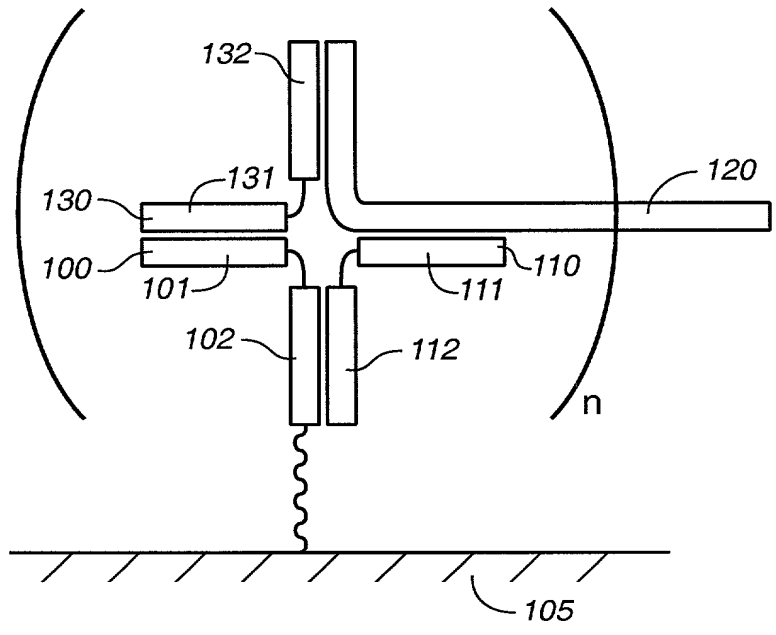
+



**FIG.\_4A**



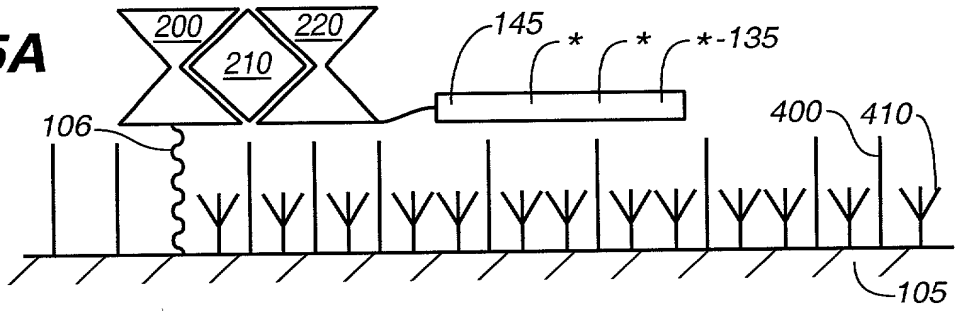
**FIG.\_4B**



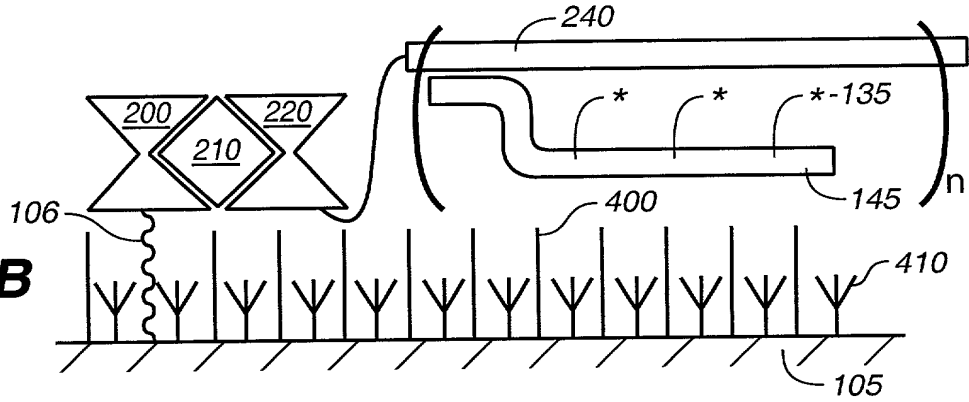
**FIG.\_4C**

FOR OFFICIAL USE ONLY

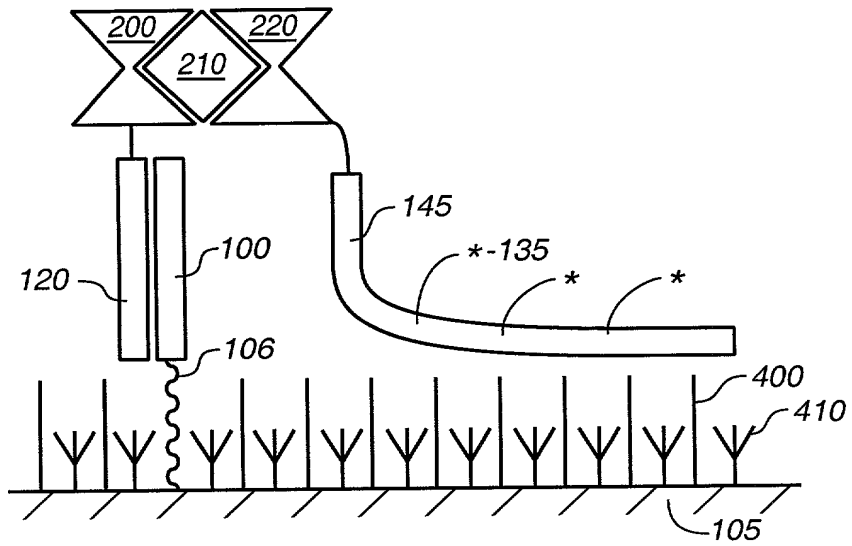
**FIG. 5A**



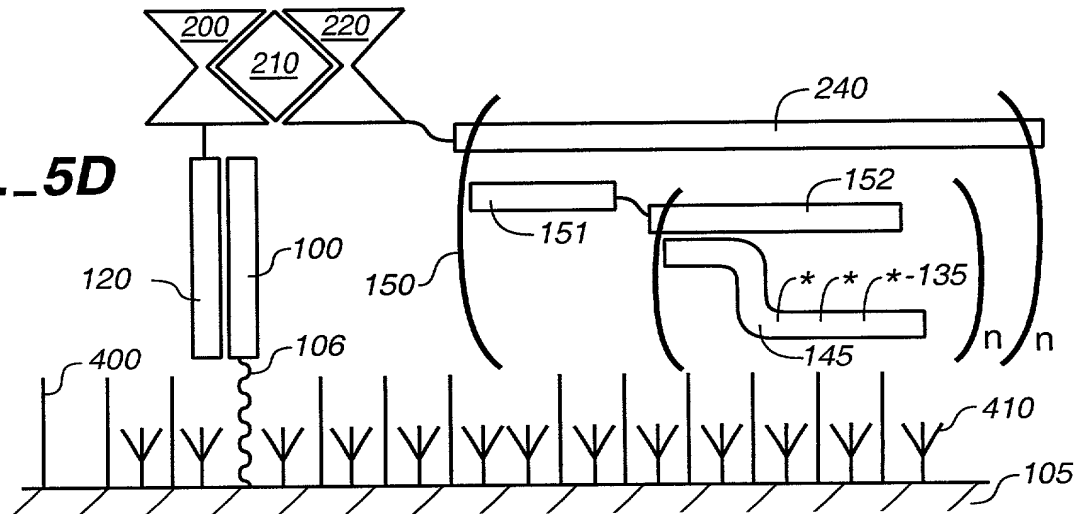
**FIG. 5B**



**FIG. 5C**

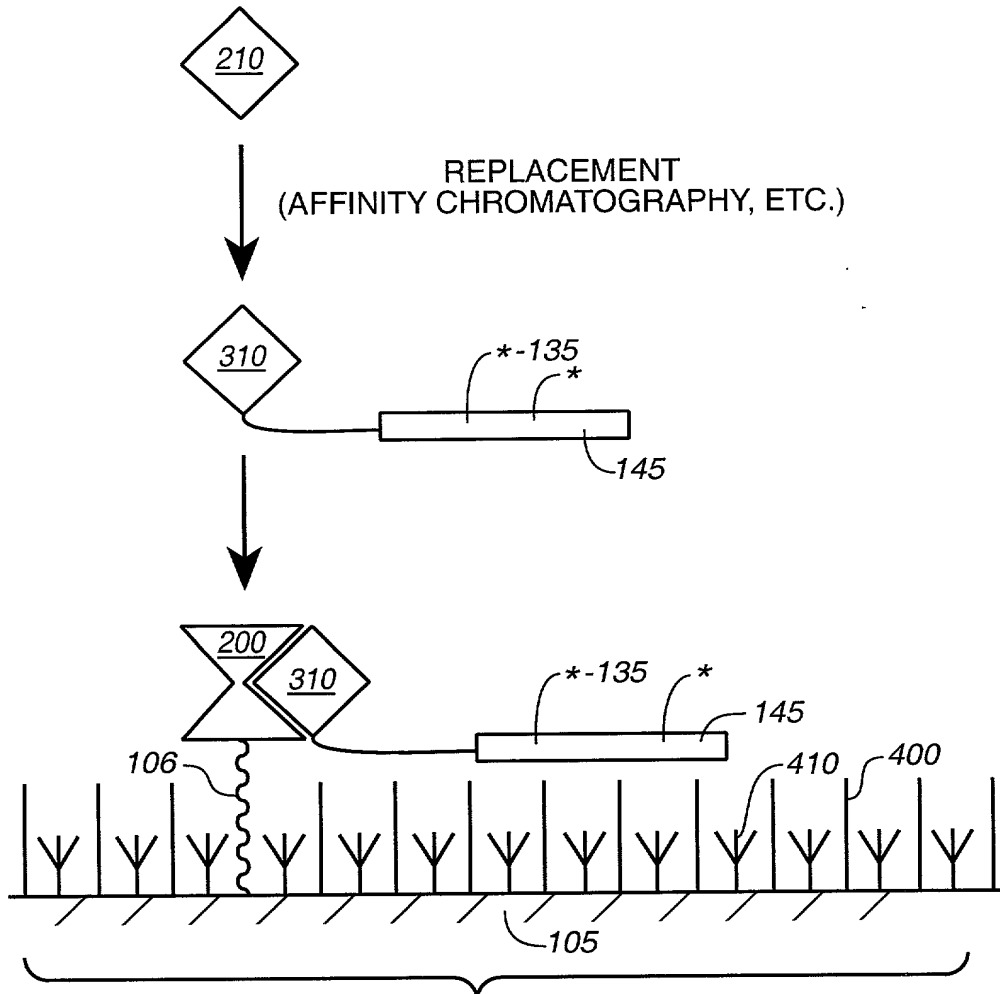


**FIG. 5D**

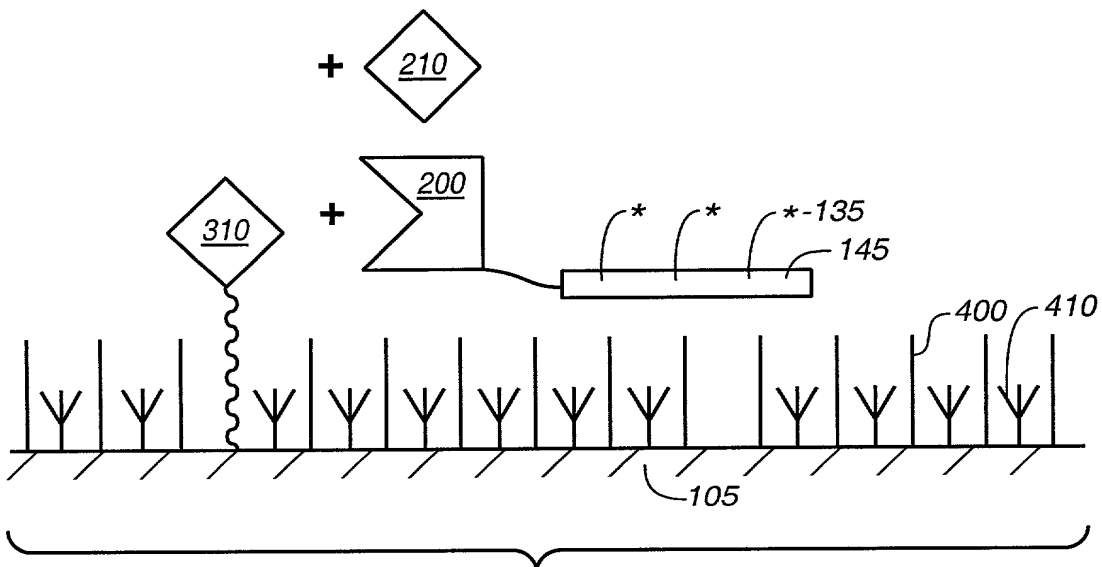


FOUOY ET AL.

FOR PUBLICATION

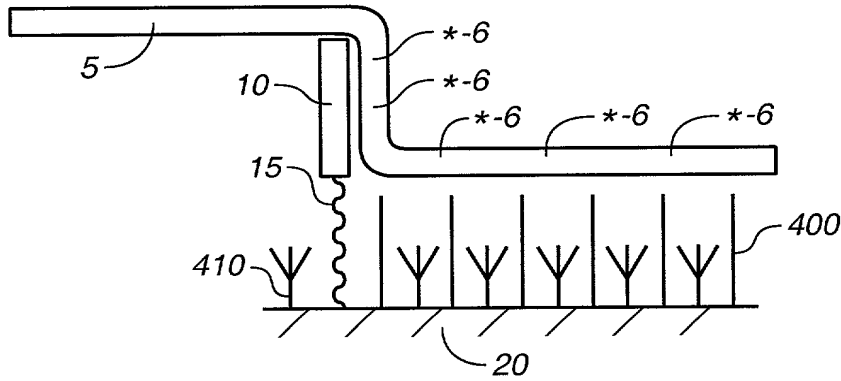


**FIG.\_6A**

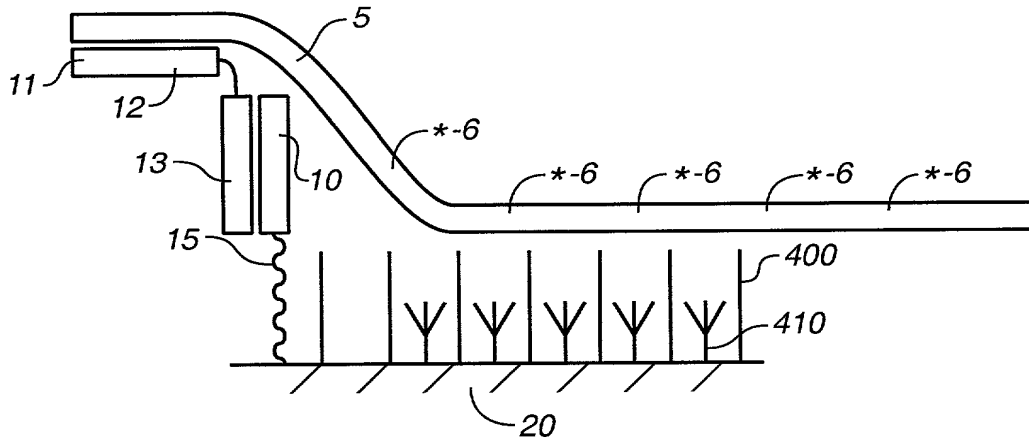


**FIG.\_6B**

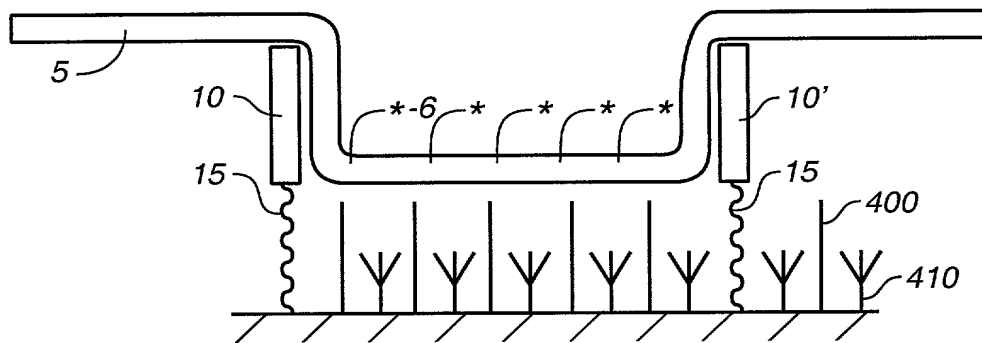




**FIG. 7A**



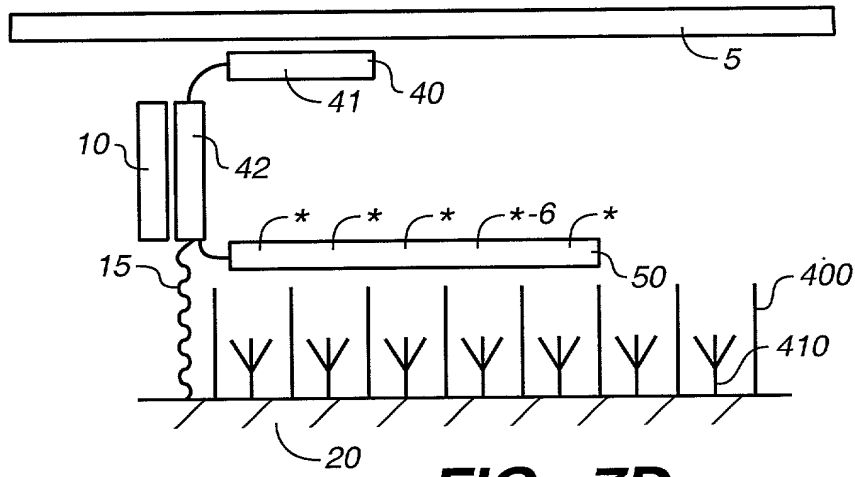
**FIG. 7B**



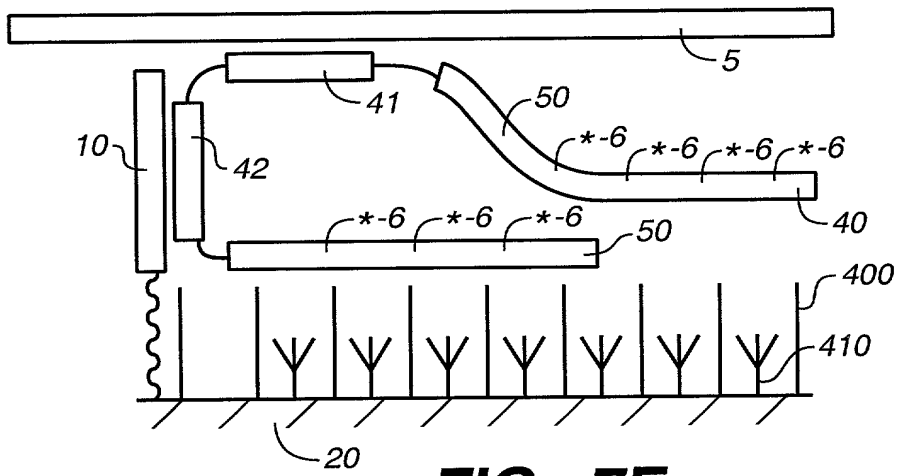
**FIG. 7C**

FOR "EP 24860

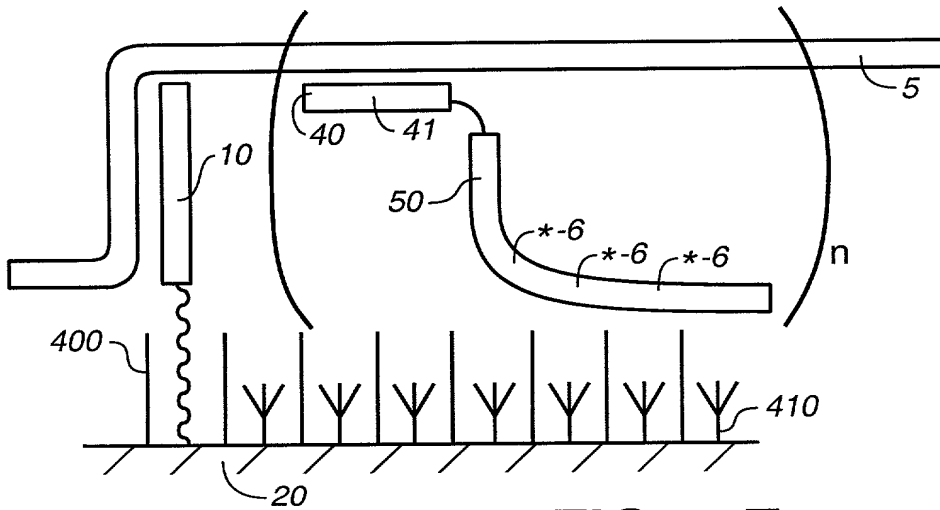




**FIG. 7D**

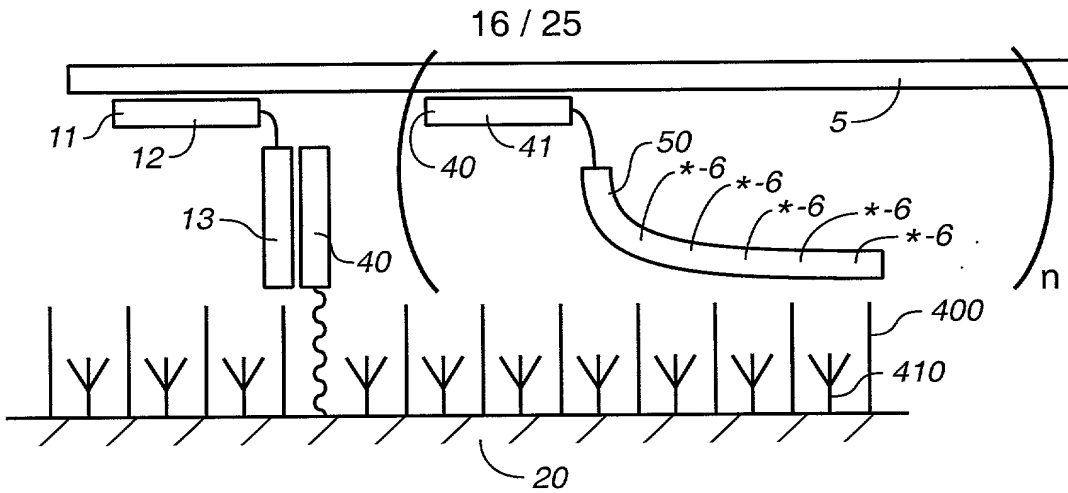


**FIG. 7E**

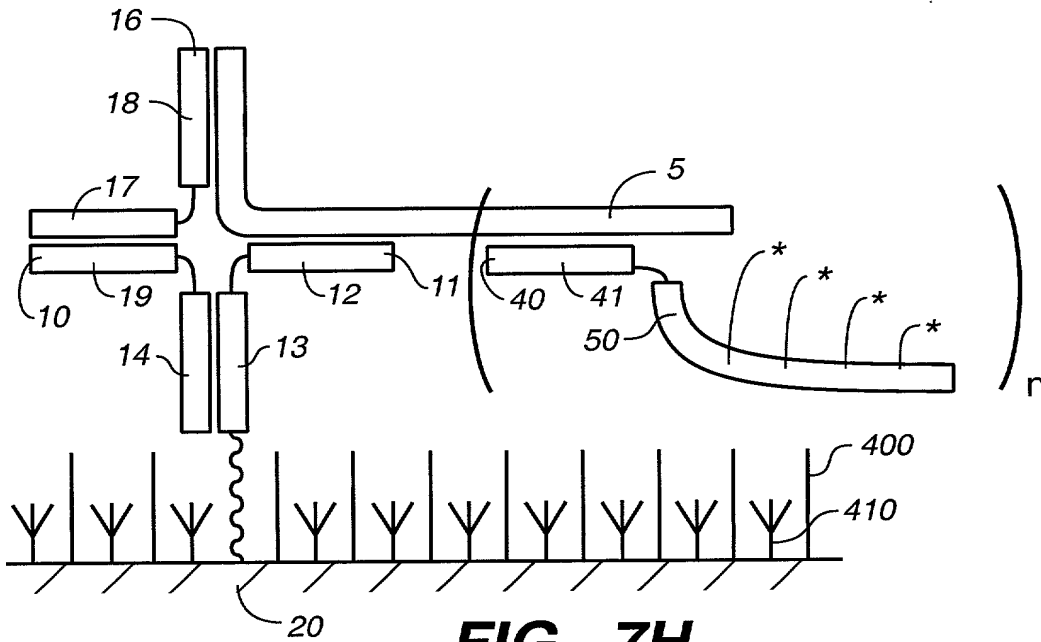


**FIG. 7F**

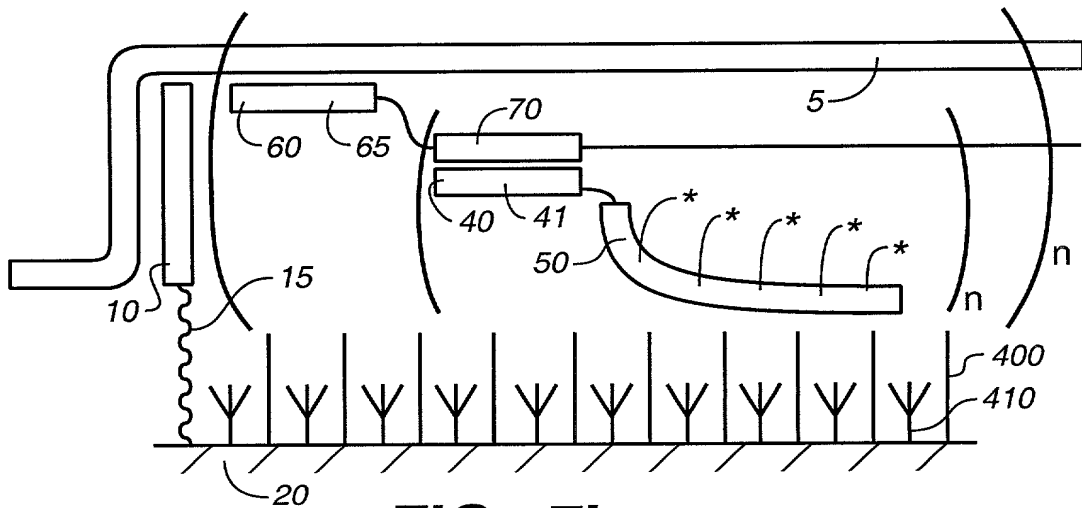
FOR PRT 4860



**FIG. 7G**



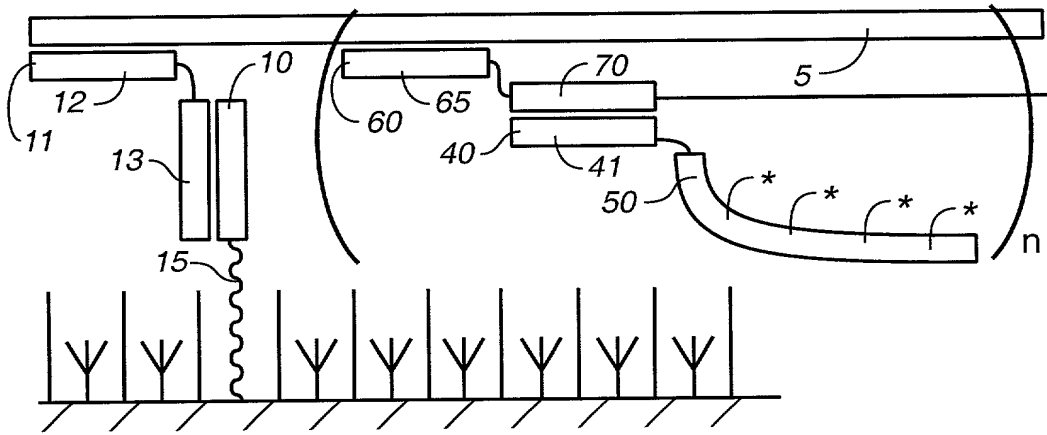
**FIG. 7H**



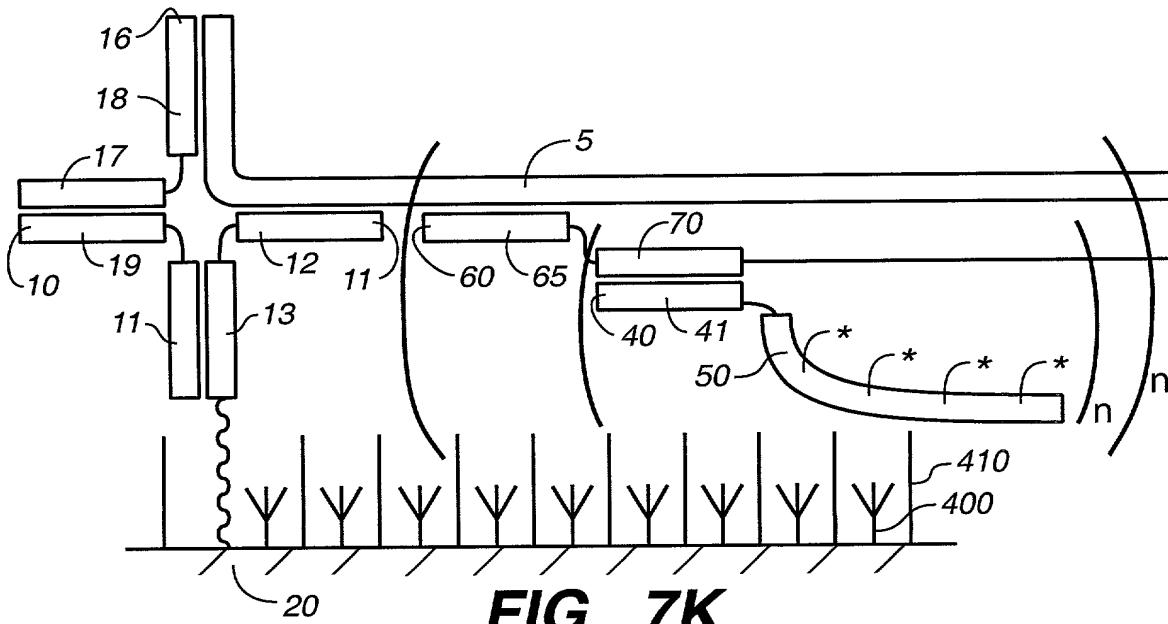
**FIG. 7I**

ROSSI ET AL.



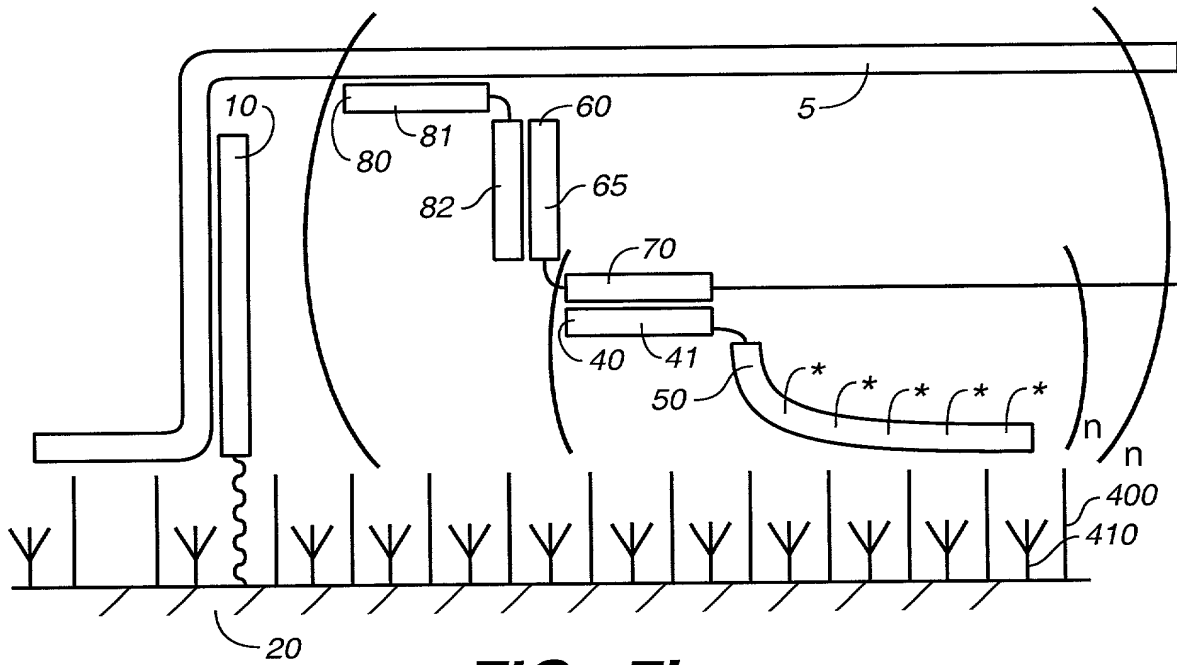


**FIG. 7J**

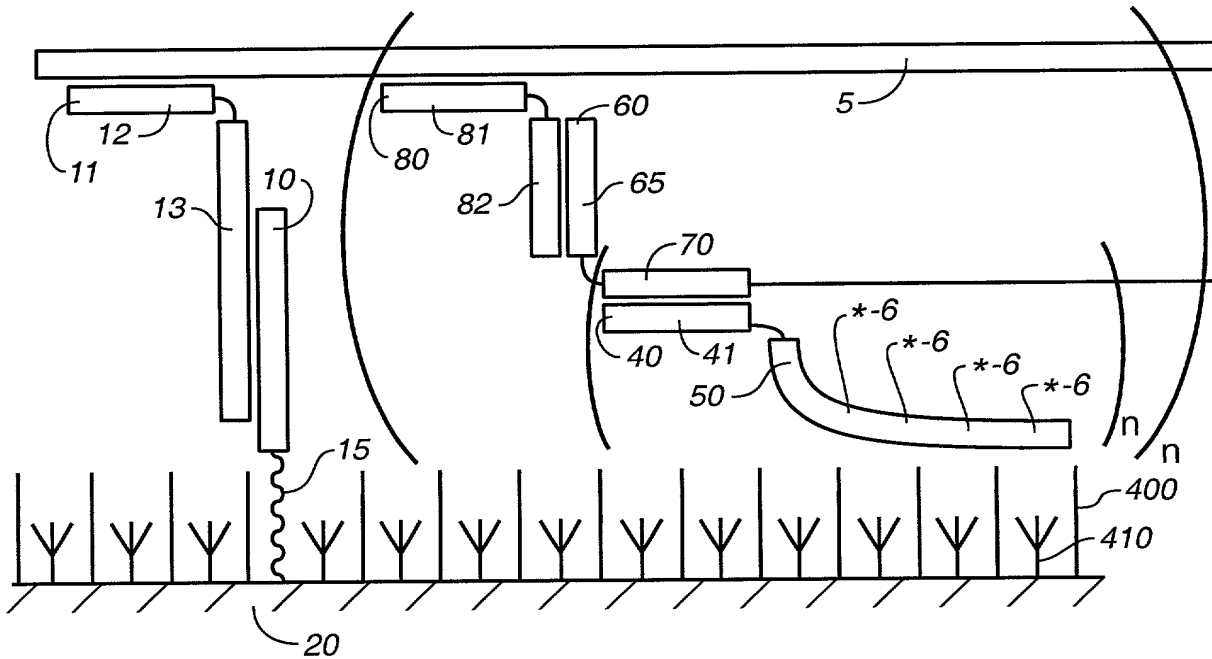


**FIG. 7K**

FOR OFFICE USE



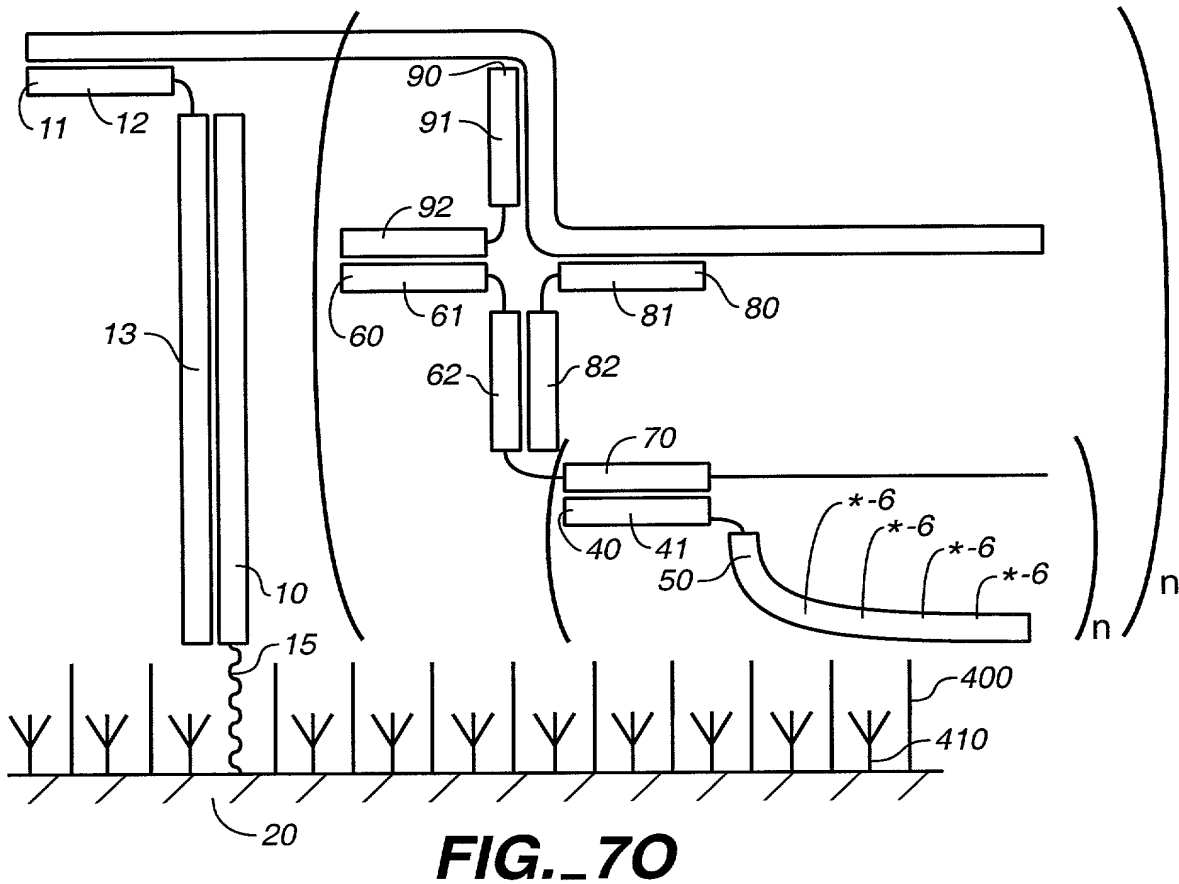
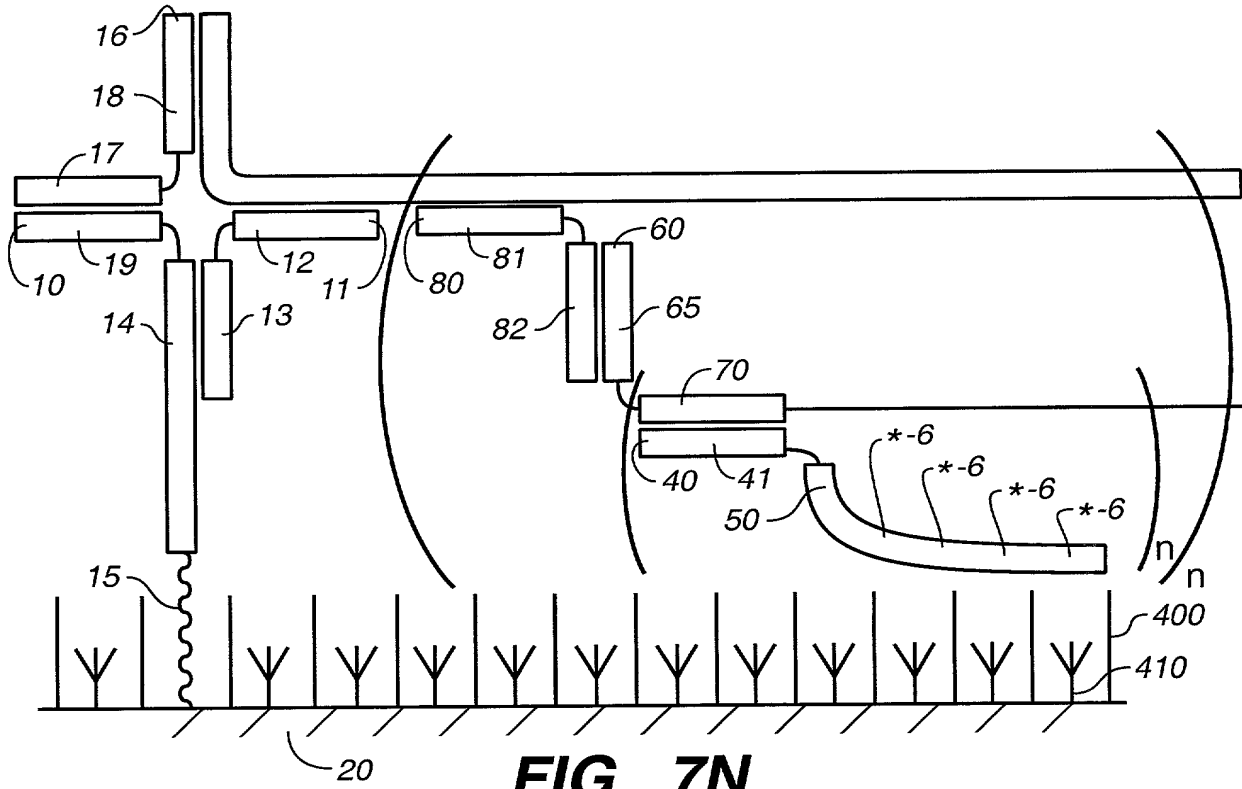
**FIG. 7L**

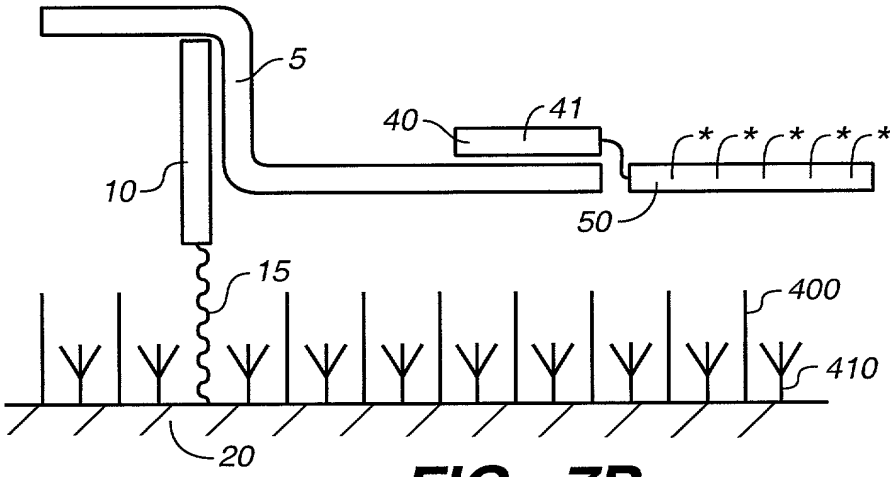


**FIG. 7M**

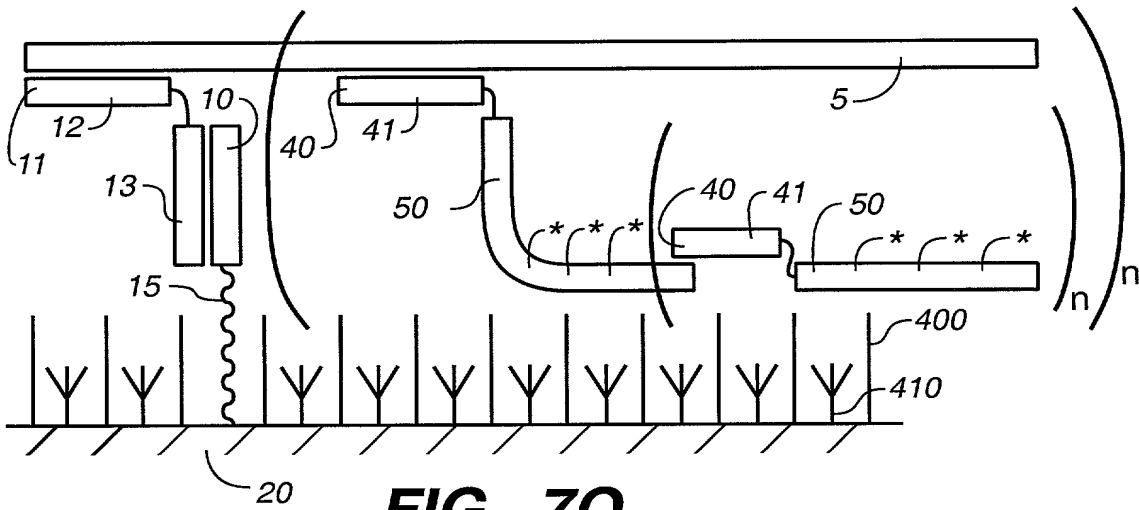
FOOTPRINT

PROJECT # 4350

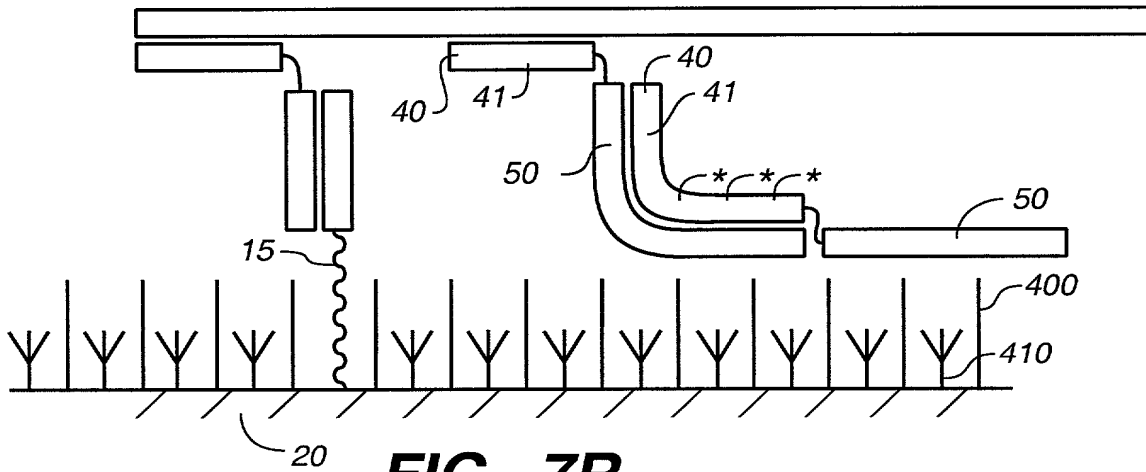




**FIG. 7P**



**FIG. 7Q**

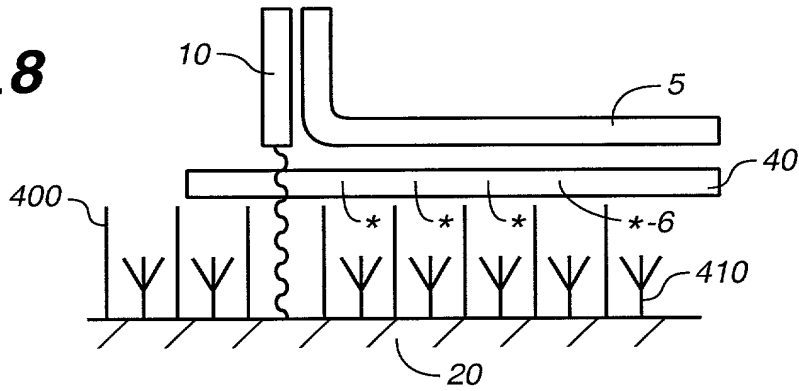


**FIG. 7R**

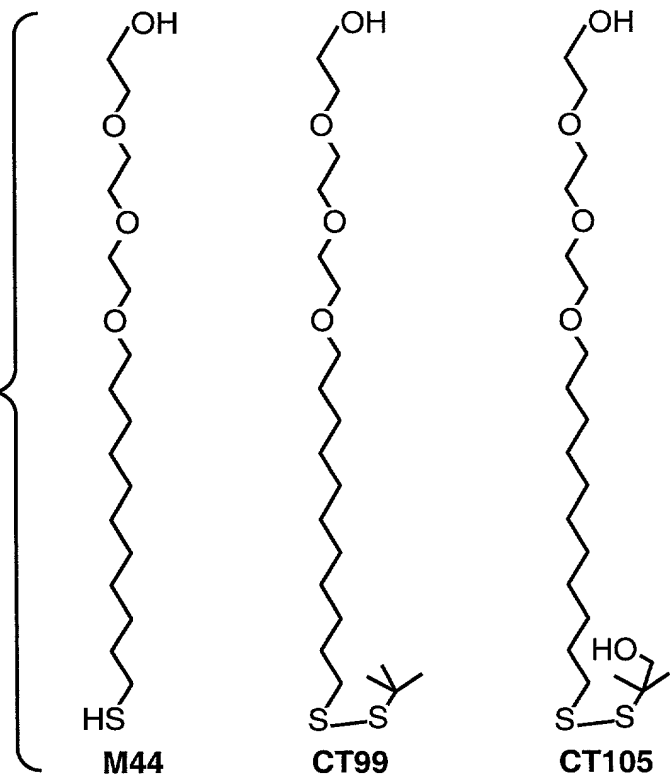
FOR PUBLICATION



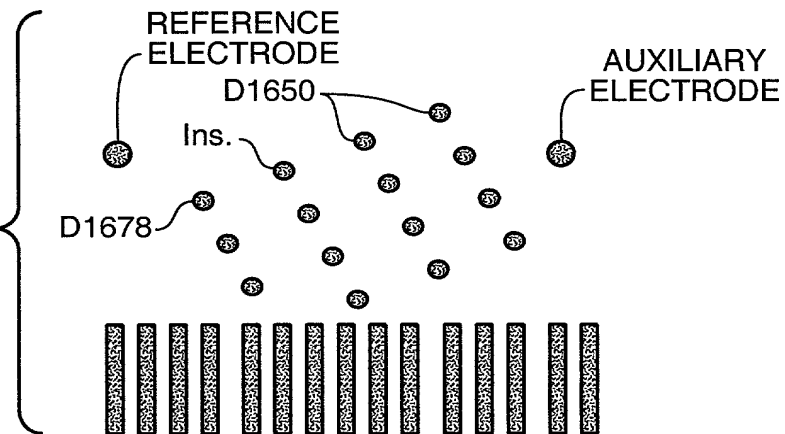
**FIG.\_8**



**FIG.\_9**

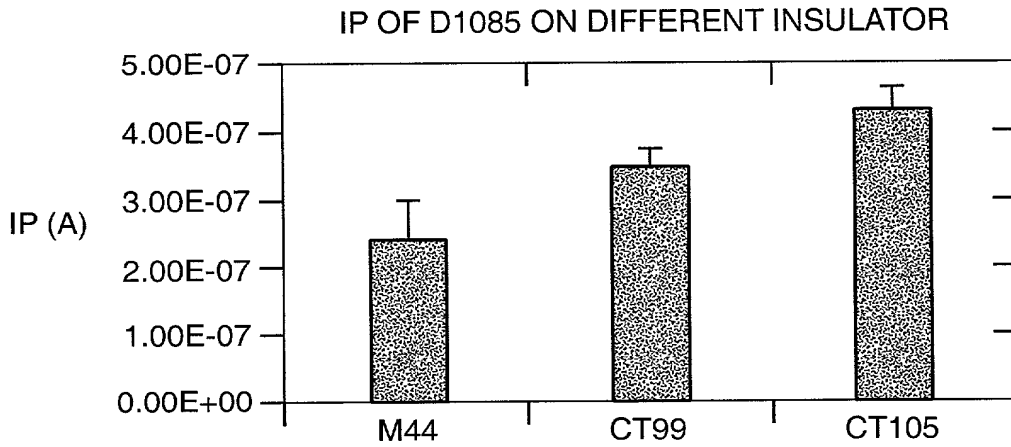


**FIG.\_10**

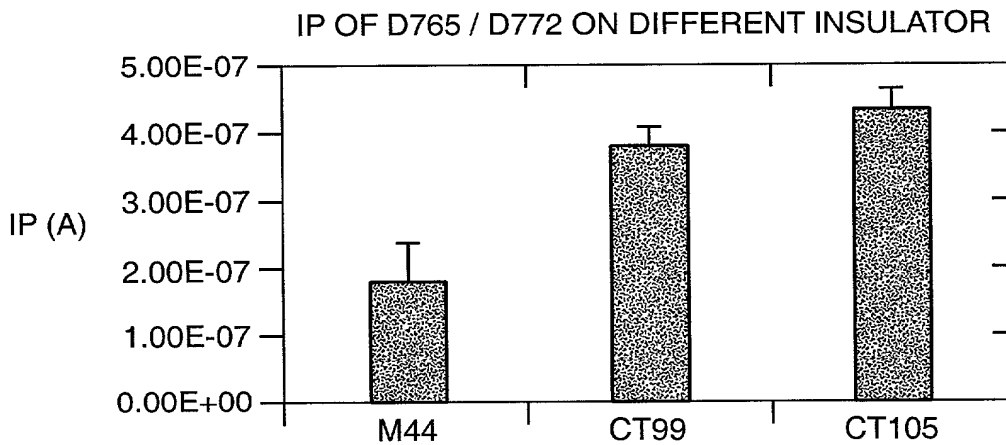


TOP SECRET

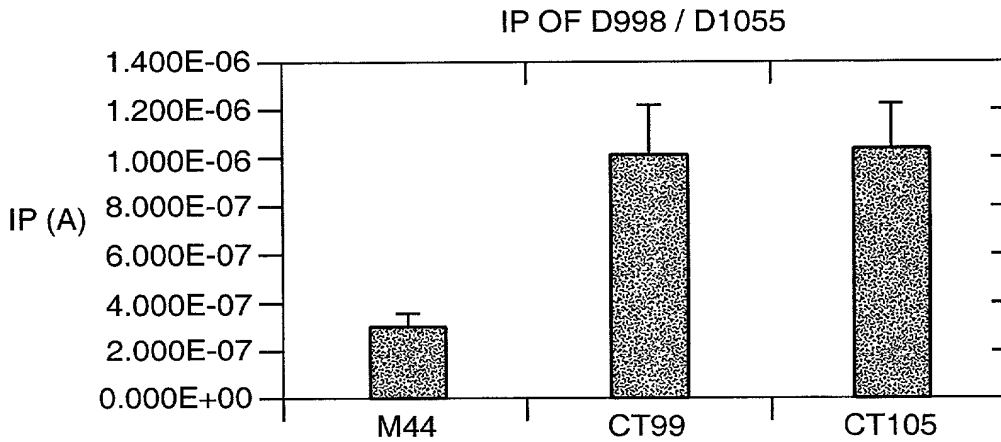




**FIG.\_11**



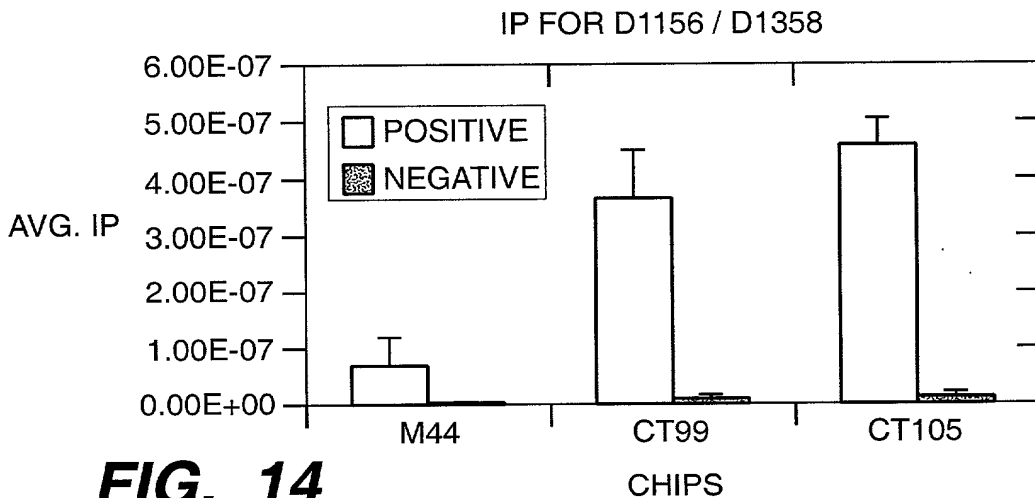
**FIG.\_12**



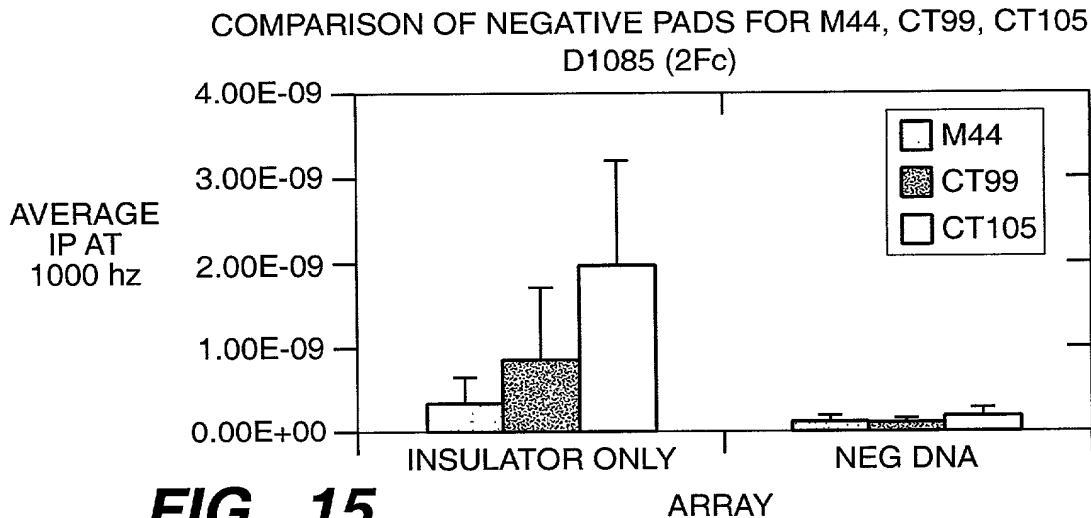
**FIG.\_13**

FOOTPRINT

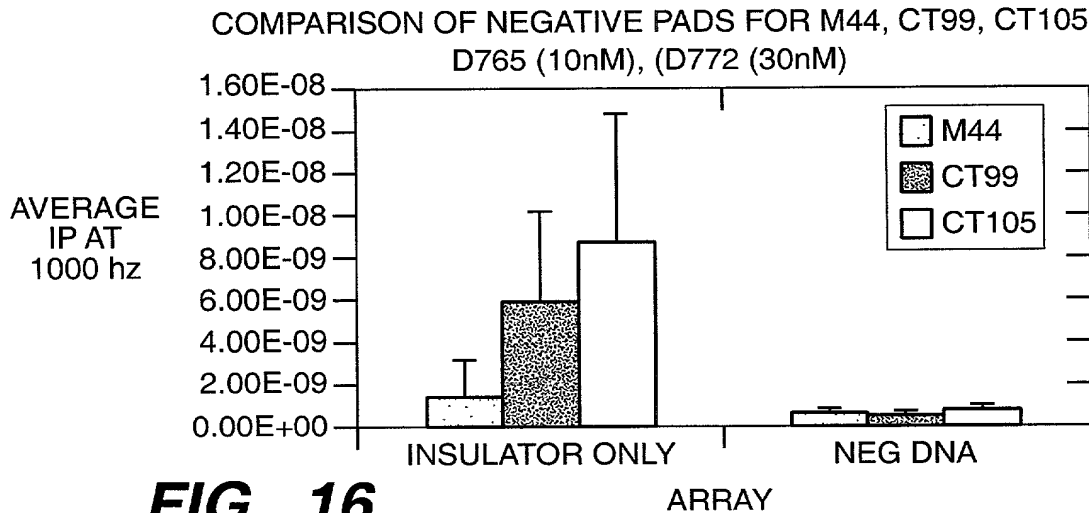
23 / 25



**FIG.\_14**



**FIG.\_15**



**FIG.\_16**

FOUO 2007 ETT 21860

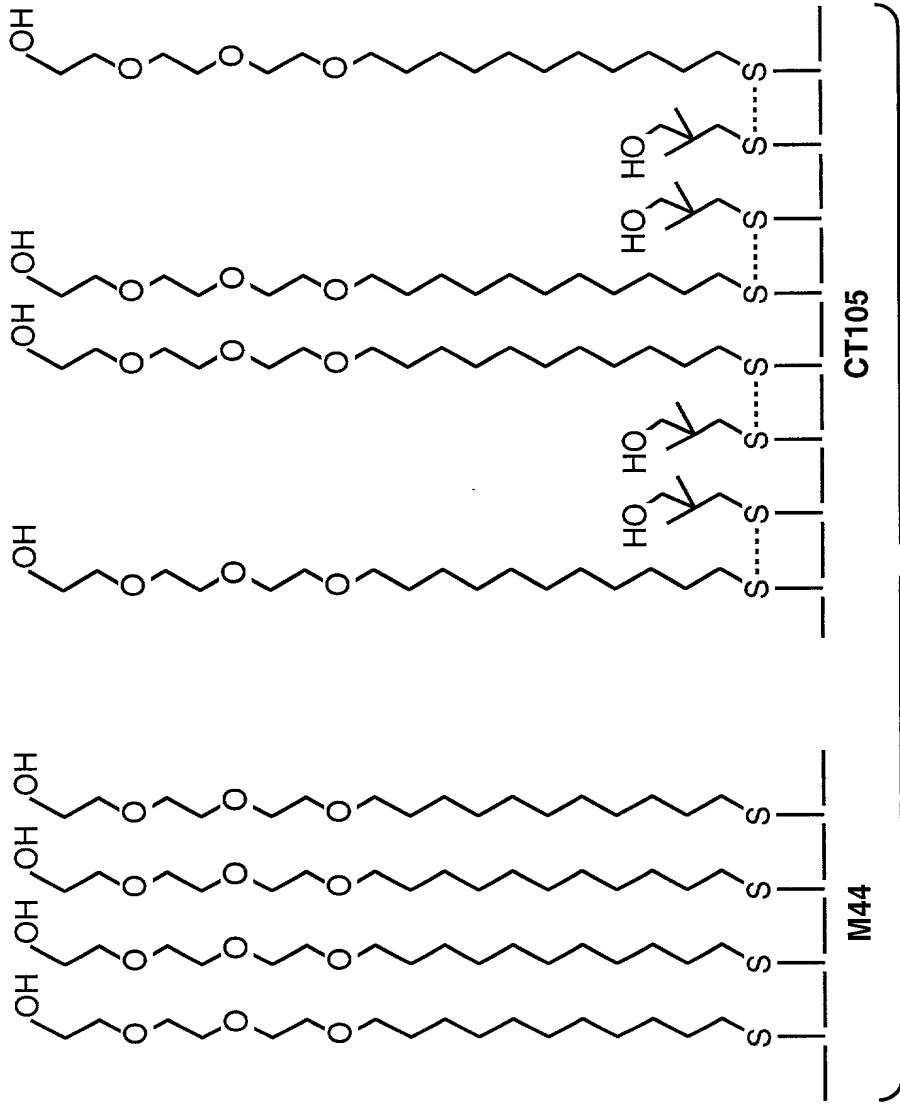
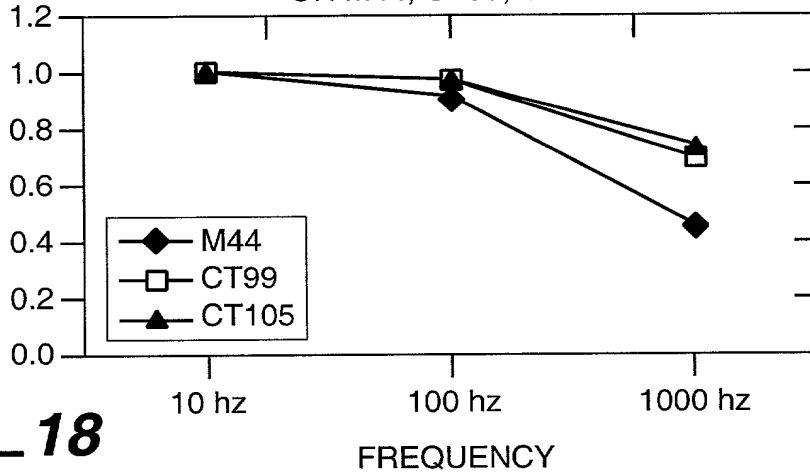


FIG. 17



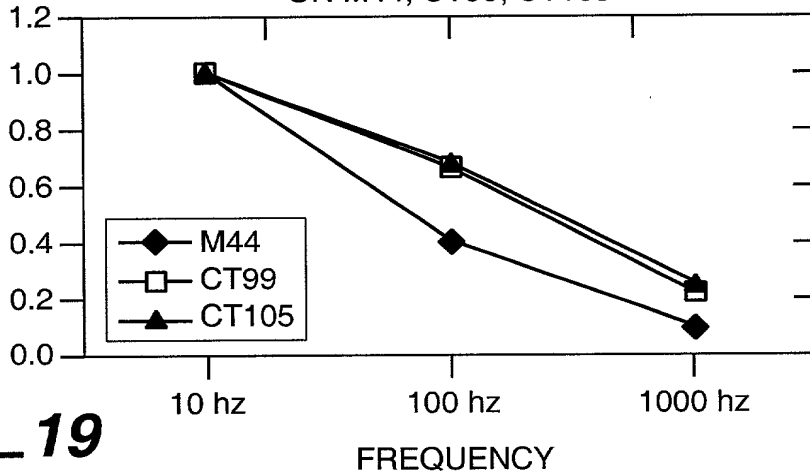


FREQUENCY RESPONSE OF D1085 (100 nM)  
ON M44, CT99, CT105



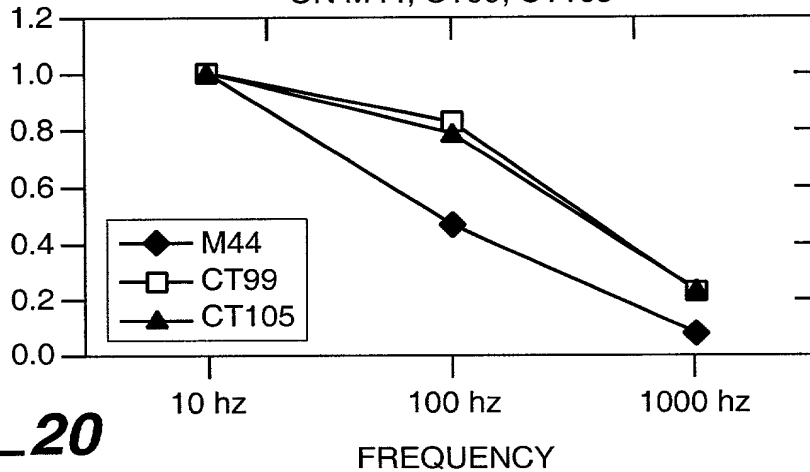
**FIG.\_18**

FREQUENCY RESPONSE OF D765 / D772 (8Fc)  
ON M44, CT99, CT105



**FIG.\_19**

FREQUENCY RESPONSE OF D998 / D1055 (20Fc)  
ON M44, CT99, CT105



**FIG.\_20**

FOOTNOTES

